



TECHNOLOGIES

**DUAL  
ADE**  
INC.

INNOVATION ► SOLUTION ► ACTION

*Leader in the application  
of innovative solutions  
in transformation and distribution of energy*



38kV Standard version shown

## MODU-AL STB Station Type Breaker up to 38kV

Medium voltage outdoor circuit breaker solution for control and protection of utility and in industrial power systems.

The MODU-AL STB is suitable for applications up to 3150A - 38kV. The Station Type Breaker is available with either SF6 or Vacuum circuit breaker technology.

Enclosure is fabricated from extruded aluminum with aluminum or steel panels. All compartments are accessible through full height hinged doors. The supporting structure is made of hot dipped galvanized steel for corrosion resistance.

The station type outdoor breaker is also available in an arc-resistant version, up to 31.5 kA. The unit is shipped fully assembled from the factory, ready for installation.

### Features & Benefits

The New MODU-AL STB is a state of the art outdoor circuit breaker design, using the latest technology. The completely weatherproof aluminum enclosure provides exceptional corrosion resistant construction. The unit is adaptable to any brand of medium voltage circuit breaker. The aluminum construction considerably reduces the weight of the assembly, resulting in less mechanical stress on the supporting structure, specifically in areas where seismic conditions are applicable.

The equipment is suitable for an ambient temperature range of -40 degrees to +40 degrees Celsius. The internal temperature is thermostatically controlled with a separate emergency heating system to ensure continual temperature regulation. Foil insulation is used to maintain the internal temperature with no risk of flash-over. Filtered vents provide air circulation to prevent condensation.

The unit comes with an adjustable telescopic steel support to facilitate installation.



**Technologies Dual-ADE**  
155, chemin Godin, Sherbrooke, Quebec, J1R 0S6  
Tel: 819.829.2100 - Fax: 819.829.2363

# MODU-AL STB Station Type Breaker



Interior of medium voltage compartment showing bushings with optional current transformers

The medium voltage compartment houses the circuit breaker, complete with insulated bus and roof mounted flanged bushings, thus providing total insulation from the metal enclosure. The circuit breaker mechanism and poles are accessible through full height hinged doors.

Optional current transformers and voltage transformer can also be installed for control and monitoring.

The low voltage control compartment is attached to the base support structure and bolted to the medium voltage compartment, facilitating the maintenance and the visual inspection of the components.

A continuous ground bar interconnects the enclosure and the frame. This ground bus is readily accessible for connection to the customer's ground system.

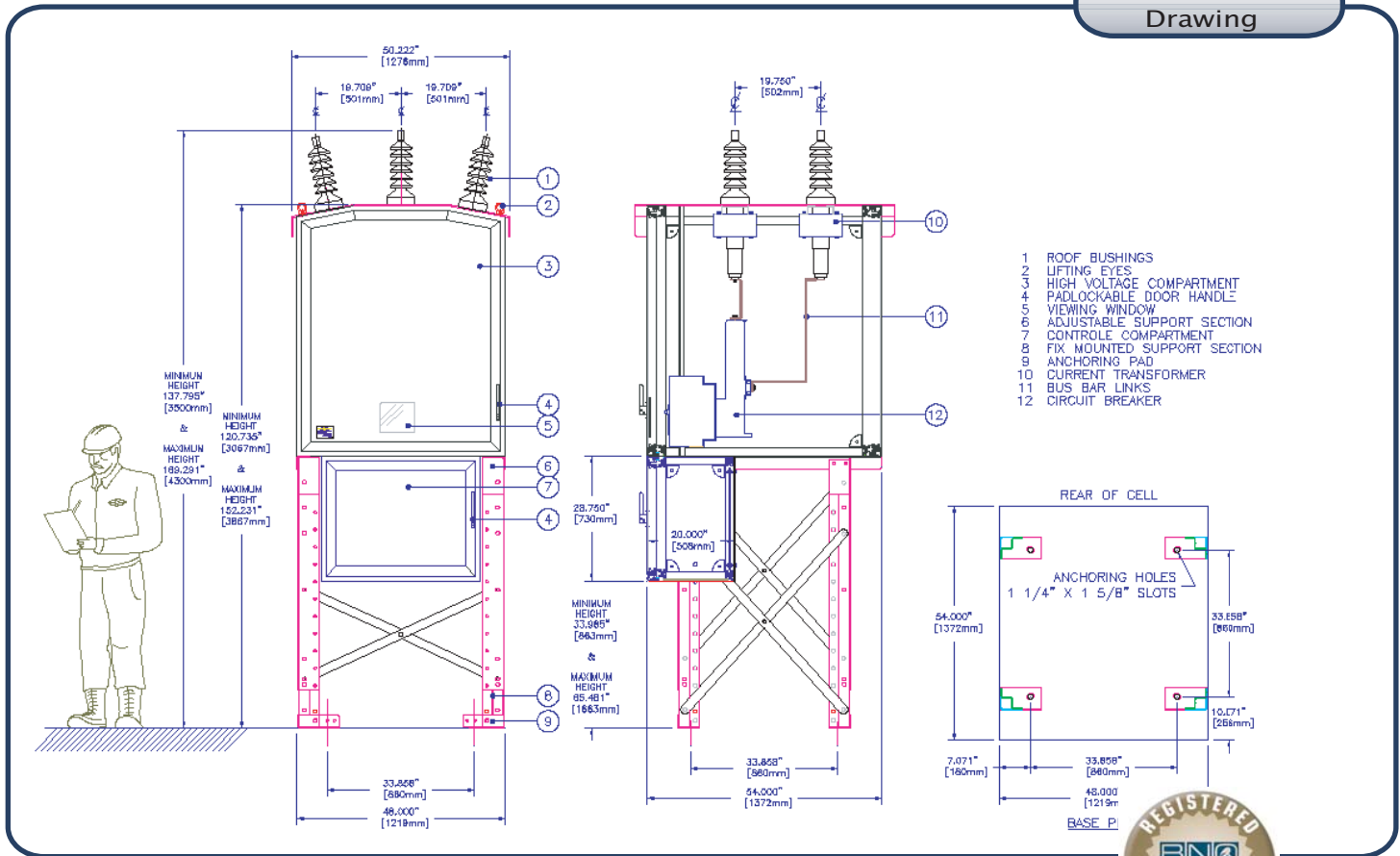


Low voltage control compartment

## ELECTRICAL CHARACTERISTICS

Application standards	ANSI, EEMAC, CSA
Rated voltage (kV)	Up to 38
Frequency (Hz)	60
Rated current (A)	Up to 3150
Breaking current (kA)	Up to 40
Making current (kA)	Up to 104
Short-time with stand (3 sec.) (kA)	Up to 40
Power frequency with stand Voltage (kV) - (1 min.)	Up to 80
Impulse with stand voltage (kV)	Up to 170

## Dimensional Drawing



For more information please call **819-829-2100**

**TECHNOLOGIES DUAL-ADE**  
**155, chemin Godin**  
**Sherbrooke (Qc) J1R 0S6**

FAX: 819-829-2363

[www.dual-ade.com](http://www.dual-ade.com)



Contact your agent