



**WORLD'S SAFEST AUTOMATIC  
CIRCUIT RECLOSER** | PROVEN THROUGH  
OVER 60,000 GLOBAL INSTALLATIONS IN 88 COUNTRIES

### ULTIMATE SAFETY & SERVICE

- Designed for a maintenance free life
- The World's Only Arc Fault Vented Solid Dielectric Recloser
- Unique and seamless NOJA Power Android and iOS App enhances linesmen comfort and safety
- Only 3 electronic modules in total that can be replaced within 5 minutes with a simple screwdriver
- Hot line Tag functionality and Mechanical trip interlock directly connected to the OSM tank's operating mechanism
- Internal double pole position indicator micro switches for added reliability
- Triple shielded, water blocked and metal conduit protected control cable with military grade IP65 rated connectors

### ULTIMATE INNOVATION

- Over 100 different protection features, from the simplest Overcurrent and Earth Fault Protection through to Admittance, Fault Locator and Harmonic Protection
- Full Automation, Logic and Synchronising feeder Capability as standard
- Class Defining Current and Voltage Sensors, included on both load and source side of the device as standard
- No active electronics in the recloser tank providing exceptional surge immunity and reliability

### UNMATCHED RELIABILITY

- Total Stainless Steel External Construction
- Full Industrial Temperature Range -40 °C to + 55 °C
- Mean Time Between Failures (MTBF) of 850 years for a complete unit
- Tank design to eliminate partial discharges and minimise electrical stress
- Aromatic epoxy poles encapsulated within a stainless steel tank so not exposed to UV radiation
- Rating of 30,000 operations at full load, 3 times the industry's standard of 10,000 operations
- Unique ceramic shielded temperature controlling RC control design
- On board powerful processor & FPGE running diagnostics 24/7
- RC control fitted with the industry's most powerful sealed, spill-proof and MAT lead acid 12 Vdc and 16 Ah battery
- EMC shielded Human Machine Interface (HMI) available in several languages and fitted inside an IP66 panel

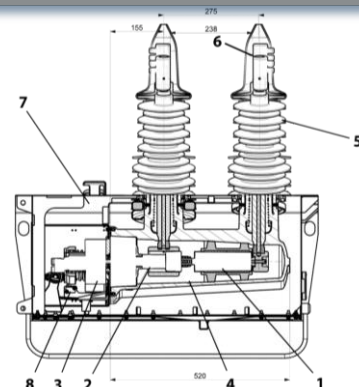
### ONE PRODUCT – MANY APPLICATIONS

- Alarm Switch
- Remote Switch
- Generator Connection
- Mine Equipment Protection
- Substation Circuit Breaker
- Renewable and Distributed Generation Connection
- Underground to Overhead Connection
- Sectionaliser
- 6 kV to 38 kV
- Mobile Fault Firing Test Equipment
- Smart Grid Schemes
- Auto-Changeover Schemes
- Mobile Switchgear

### THE RC10 OR RC 15 CONTROLLER

- Class Leading Comprehensive Protection, Communications, Power Quality Monitoring & Automation
- Integrated GPS for microsecond accurate event timestamping, no communications necessary (RC15 only)
- DNP3, IEC 61850, IEC 60870-5-101/104 all standard
- Integrated 4G/3G/2G & WiFi (RC15 only)
- IP66 Stainless Steel Enclosure
- Co-Generation functions standard, including ANSI25 Synchrocheck and Auto-Synchroniser
- Fully configurable Logic & Smart Grid Automation based on IEC61499 open source logic design
- Best in Class Remote Control & SCADA
- Innovative Secure Wireless Remote Control

1. Vacuum interrupter
2. Push rod - insulating
3. Actuator
4. Epoxy housing
5. Silicone bushing extension
6. Terminal
7. Tank
8. Auxiliary switches



# C A T A L O G N U M B E R

OSM ## - ## - ### - ### -

Voltage Class	
15	15.5 kV
27	27 kV
38	38 kV

Fault Make Capacity (RMS)	
12	12.5 kA
16	16 kA

Rated Continuous Current	
800	800 A

Manufacturer Model	
311	Single Phase
301	Single Phase
312	Dual Phase
302	Dual Phase
310	3-Phase Ganged
300	3-Phase Ganged

Single Triple
ST

Part number	OSM15-16-800	OSM27-12-800	OSM38-12-800	OSM38-16-800
Manufacturing Model	311/312/310	311/312/310	311/302/300	301/302/300
Current Sensing	3 x Current Transformers	3 x Current Transformers	3 x Current Transformers	3 x Current Transformers
Voltage Sensing	6 x Voltage Screens	6 x Voltage Screens	6 x Voltage Screens	6 x Voltage Screens
Rated Maximum Voltage	15.5 kV	27 kV	38 kV	38 kV
Rated Continuous Current	800 A	800 A	800 A	800 A
Fault Make Capacity RMS	16 kA	12.5 kA	12.5 kA	16 kA
Fault Make Capacity Peak	40 kA	31.5 kA	31.5 kA	40 kA
Fault Break Capacity	16 kA	12.5 kA	12.5 kA	16 kA
Mechanical / Full Load Operations	30,000	30,000	30,000	30,000
Fault Break Capacity Operations	70	140	100	140
Short Time Current Withstand	16 kA / 3 secs	16 kA / 3 secs	12.5 kA / 3 secs	16 kA / 3 secs
Mainly Active Breaking Capacity	800 A	800 A	800 A	800 A
Cable Charging Current	25 A	25 A	40 A	40 A
Line Charging Current	5 A	5 A	5 A	5 A
Impulse Withstand Phase to Earth & Phase to Phase	110 kV	150 kV	195 kV	200 kV
Impulse Across the Interrupter	110 kV	150 kV	170 kV	170 kV
Power Frequency Withstand Phase to Earth (Dry)	50 kV	60 kV	70 kV	70 kV
Power Frequency Across the Interrupter	50 kV	60 kV	70 kV	70 kV
Ambient Temperature	-40 °C to +55 °C	-40 °C to +55 °C	-40 °C to +55 °C	-40 °C to +55 °C
Humidity	0-100 %	0-100 %	0-100 %	0-100 %
Altitude	3000 m	3000 m	3000 m	3000 m
Weight of the Tank (Three Phase)	100 kg	109 kg	150 kg	150 kg